

# Devireg™ 610 Weatherproof Thermostat

## Applications

- Frost protection
- Cooling systems
- Room heating
- Floor heating
- Snow melting
- Pipe tracing

**DEVI™**  
Heating Systems



The **Devireg™ 610** is a versatile thermostat that can be used in many applications.

It has an IP rating of 44 so it can be used in many indoor and outdoor applications. It can be wall mounted or fixed to a pipe and it has a high control range from -10°C to 50°C.

# Devireg™ 610 Weatherproof Thermostat

## Features

- The thermostat is supplied with a sensor
- Sensor cable can be extended up to 50m (2 x 1.5mm<sup>2</sup>)

## Technical Data

|                                 |               |
|---------------------------------|---------------|
| Voltage                         | 240V ~        |
| Temperature Range               | -10° to +50°C |
| Change-over Switch              | NO/NC         |
| Load                            | 10Amps/10Amps |
| Inductive Load                  | 3 Amps        |
| Switch                          | 2-Pole        |
| Hysteresis (degree of accuracy) | 0.4°C         |
| Control Light                   | LED diode     |
| Sensor Types                    | NTC 15kOhm    |
| Warranty                        | 2 years       |

## Stock Program

| Product Code | Sensor      | Moisture Proof | Voltage |
|--------------|-------------|----------------|---------|
| 19116284     | Floor Probe | IP 44          | 240V    |

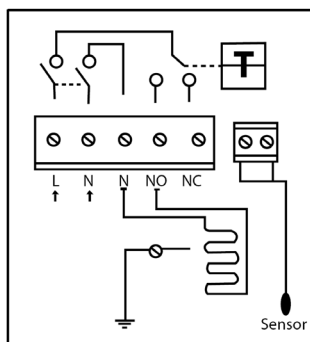
## Pipe Fittings

| Code No. | Application      | Material        |
|----------|------------------|-----------------|
| 19116920 | Pipe Fixing Band | Stainless Steel |



## Connection diagrams

Heating



Cooling

